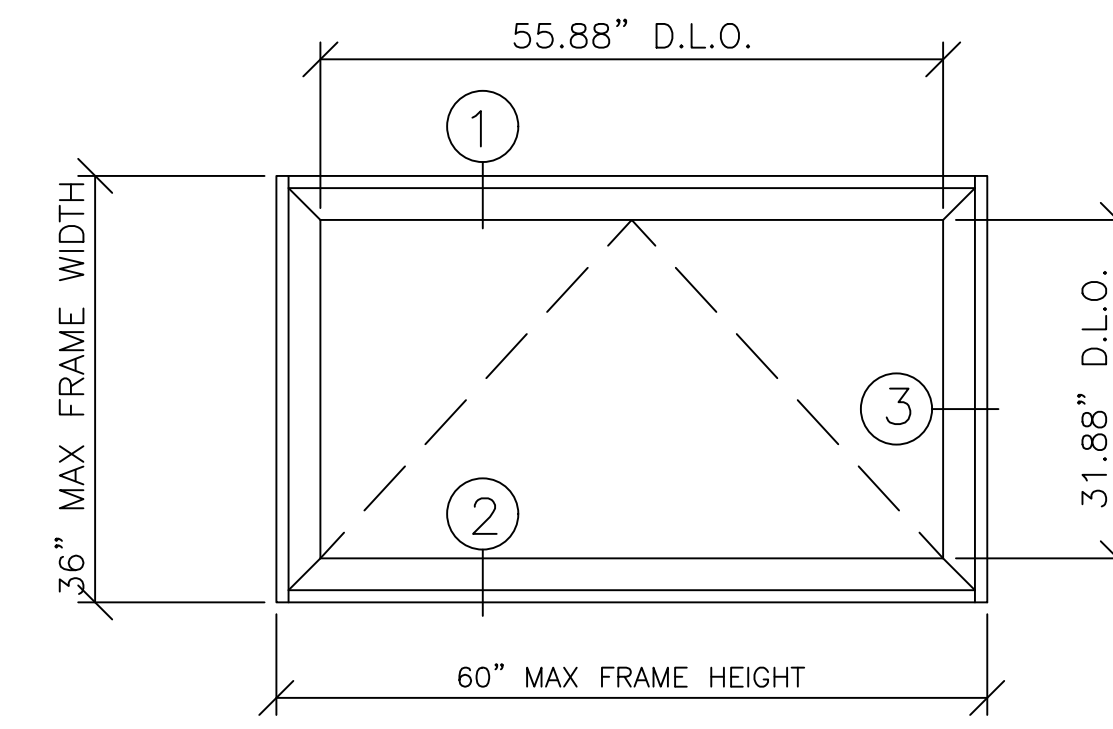


**GENERAL NOTES**

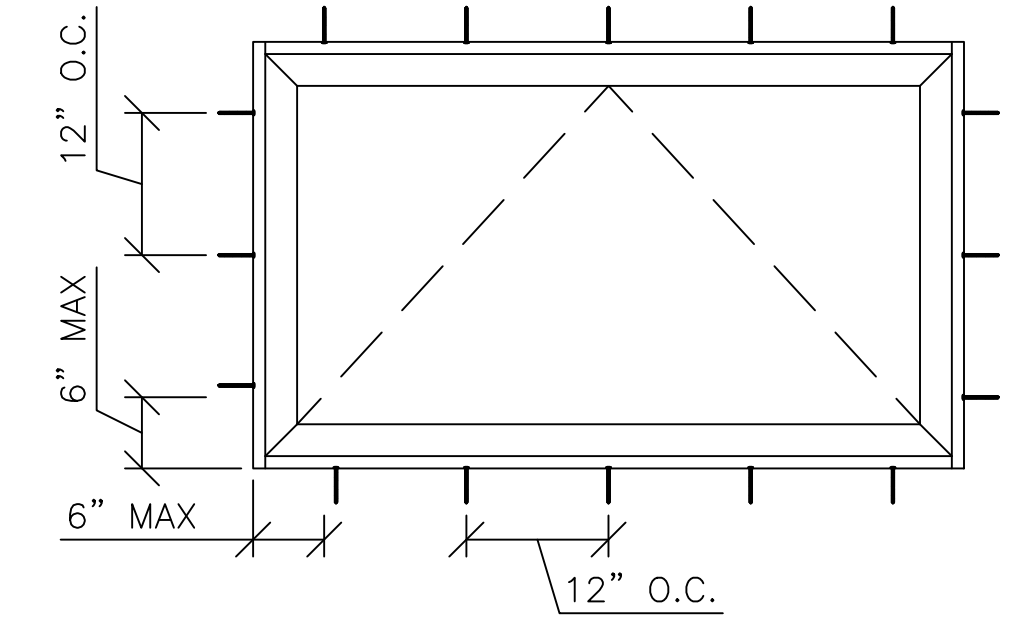
1. THE PRODUCT SHOWN HERIN IS DESIGNED AND MANUFACTURED TO COMPLY WITH THE CURRENT FLORIDA BUILDING CODE (FBC) EXCLUDING HVHZ.
2. ADEQUACY OF THE EXISTING STRUCTURAL CONCRETE/MASONRY AND 2X FRAMING AS A MAIN WIND FORCE RESISTING SYSTEM CAPABLE OF WITHSTANDING AND TRANSFERRING APPLIED PRODUCT LOADS TO THE FOUNDATION IS THE RESPONSIBILITY OF THE ENGINEER OR ARCHITECT OF RECORD FOR THE PROJECT OF INSTALLATION.
3. 1X AND 2X BUCKS (WHEN USED) SHALL BE DESIGNED AND ANCHORED TO PROPERLY TRANSFER ALL LOADS TO THE STRUCTURE. BUCK DESIGN AND INSTALLATION IS THE RESPONSIBILITY OF THE ENGINEER OR ARCHITECT OF RECORD FOR THE PROJECT OF INSTALLATION.
4. THE INSTALLATION DETAILS DESCRIBED HEREIN ARE GENERIC AND MAY NOT REFLECT ACTUAL CONDITIONS FOR A SPECIFIC SITE. IF SITE CONDITIONS CAUSE INSTALLATION TO DEVIATE FROM THE REQUIREMENTS DETAILED HERIN, A LICENSED ENGINEER OR ARCHITECT SHALL PREPARE SITE SPECIFIC DOCUMENTS FOR USE WITH THIS DOCUMENT.
5. APPROVED IMPACT PROTECTIVE SYSTEM **IS REQUIRED** ON THIS PRODUCT IN AREAS REQUIRING IMPACT RESISTANCE.
6. GLASS MEETS THE REQUIREMENTS OF ASTM E1300 GLASS CHARTS.
7. DESIGNATIONS "X" AND "O" STAND FOR THE FOLLOWING:  
 X: OPERABLE PANEL  
 O: FIXED PANEL

**INSTALLATION NOTES:**

1. ONE INSTALLATION ANCHOR IS REQUIRED AT EACH ANCHOR LOCATION SHOWN.
2. THE NUMBER OF INSTALLATION ANCHORS DEPICTED IS THE MINIMUM NUMBER OF ANCHORS TO BE USED FOR THE PRODUCT INSTALLATION.
3. INSTALL INDIVIDUAL INSTALLATION ANCHORS WITHIN A TOLERANCE OF +/-1/2 INCH OF THE DEPICTED LOCATION IN THE ANCHOR LAYOUT DETAIL (I.E., WITHOUT CONSIDERATION OF TOLERANCES). TOLERANCES ARE NOT CUMULATIVE FROM ONE INSTALLATION ANCHOR TO THE NEXT.
4. SHIM AS REQUIRED AT EACH INSTALLATION ANCHOR WITH LOAD BEARING SHIM(S). MAXIMUM ALLOWABLE SHIM STACK TO BE 1/4 INCH. SHIM WHERE SPACE OF 1/16 INCH OR GREATER OCCURS. SHIM(S) SHALL BE CONSTRUCTED OF HIGH DENSITY PLASTIC OR BETTER.
5. FOR INSTALLATION INTO WOOD FRAMING USE #10 WOOD SCREWS OF SUFFICIENT LENGTH TO ACHIEVE 1 1/2 INCH MINIMUM EMBEDMENT INTO WOOD SUBSTRATE.
6. FOR INSTALLATION THROUGH 1X BUCK TO CONCRETE/MASONRY, OR DIRECTLY INTO CONCRETE/MASONRY, USE 3/16 INCH DIAMETER ITW TAPCONS OF SUFFICIENT LENGTH TO ACHIEVE 1 1/4 INCH MINIMUM EMBEDMENT.
7. FOR INSTALLATION INTO STEEL STUD FRAMING USE #10 SELF-TAPPING SCREWS OF SUFFICIENT LENGTH TO ACHIEVE 3 THREADS OF MINIMUM ENGAGEMENT BEYOND STEEL STUD SUBSTRATE.
8. MINIMUM EMBEDMENT AND EDGE DISTANCE EXCLUDE WALL FINISHES, INCLUDING BUT NOT LIMITED TO STUCCO, FOAM, BRICKVENEER, AND SIDING.
9. INSTALLATION ANCHORS AND ASSOCIATED HARDWARE MUST BE MADE OF CORROSION RESISTANT MATERIAL OR HAVE A CORROSION RESISTANT COATING.
10. FOR HOLLOW BLOCK AND GROUT FILLED BLOCK, DO NOT INSTALL INSTALLATION ANCHORS INTO MORTAR JOINTS. EDGE DISTANCE IS MEASURED FROM FREE EDGE OF BLOCK OR EDGE OF MORTAR JOINT INTO FACE OF SHELL OF BLOCK.
11. INSTALLATION ANCHORS SHALL BE INSTALLED IN ACCORDANCE WITH ANCHOR MANUFACTURER'S INSTALLATION INSTRUCTIONS AND ANCHORS SHALL NOT BE USED IN SUBSTRATES WITH STRENGTHS LESS THAN THE MINIMUM STRENGTH SPECIFIED BY THE ANCHOR MANUFACTURER.
12. INSTALLATION ANCHOR CAPACITIES FOR PRODUCTS HERIN ARE BASED ON SUBSTRATE MATERIALS WITH THE FOLLOWING PROPERTIES:
  - A. WOOD - MINIMUM SPECIFIC GRAVITY OF 0.55.
  - B. CONCRETE - MINIMUM COMPRESSIVE STRENGTH OF 3000 PSI.
  - C. MASONRY - STRENGTH CONFORMANCE TO ASTM C-90 WITH MINIMUM COMPRESSIVE YIELD STRENGTH OF 2000 PSI.
  - D. STEEL - MINIMUM TENSILE YIELD STRENGTH OF 33 KSI. MINIMUM WALL THICKNESS OF 49 MILS. (18 GAUGE)



**EXTERIOR ELEVATION**



**ANCHOR LAYOUT**

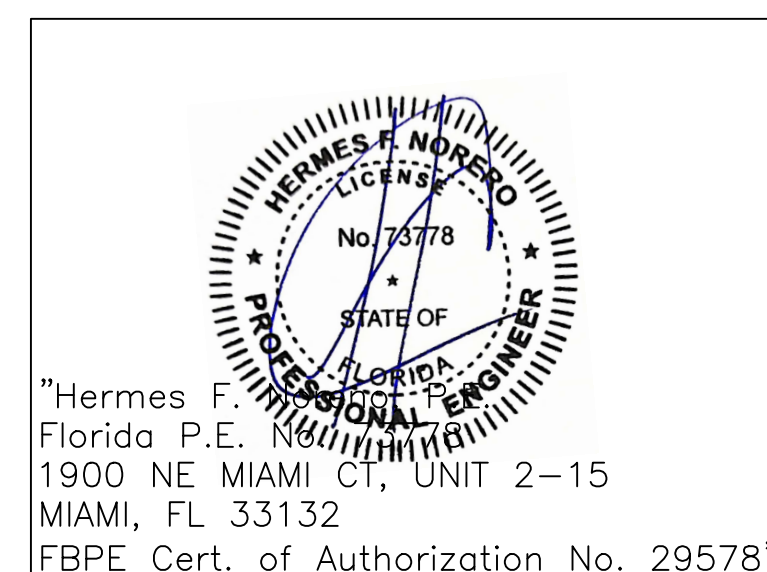
GENERAL NOTES	
SERIES	E2500/E3250/E4000 PROJECT OUT
FINISH	ANY
PANELS	NONE
SCREENS	NONE
GLAZING	INSULATED GLASS (ANNEALED)

CORNER CONSTRUCTION
BUTT, SECURED WITH TWO (2) #8 X 1" PHILLIPS PAN HEAD CAD PLATED TYPE "A" SCREWS AND SEALED WITH SCHNEE-MOREHEAD 5504 SEALANT

TEST REQUIREMENTS	
DESIGN PRESSURE	+/-90 PSF
TEST TYPE	<b>STRUCTURAL</b>

LOCK REQUIREMENTS	
MAX FRAME WIDTH	NO. OF LOCKS REQUIRED
36"	1
60"	2

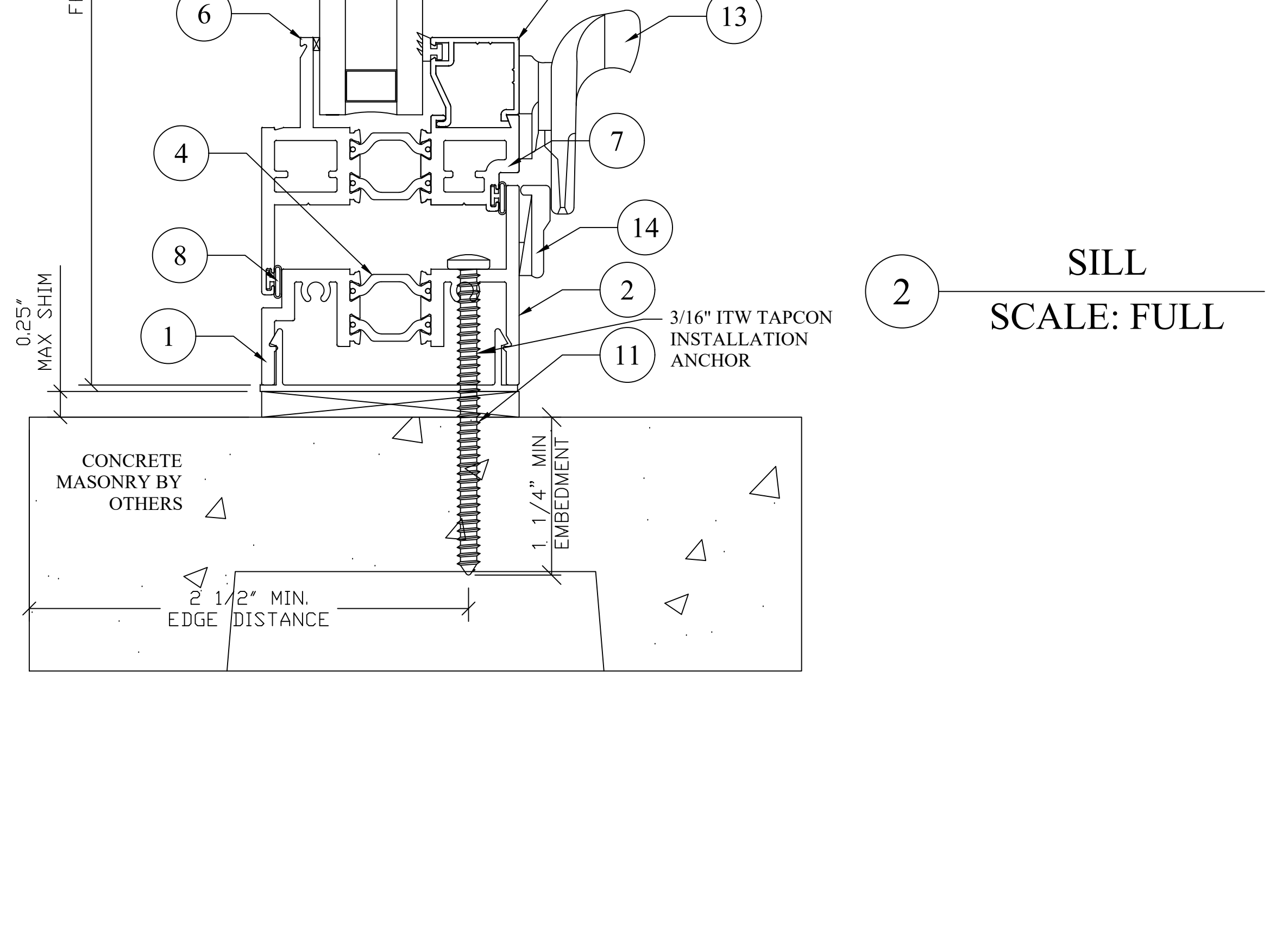
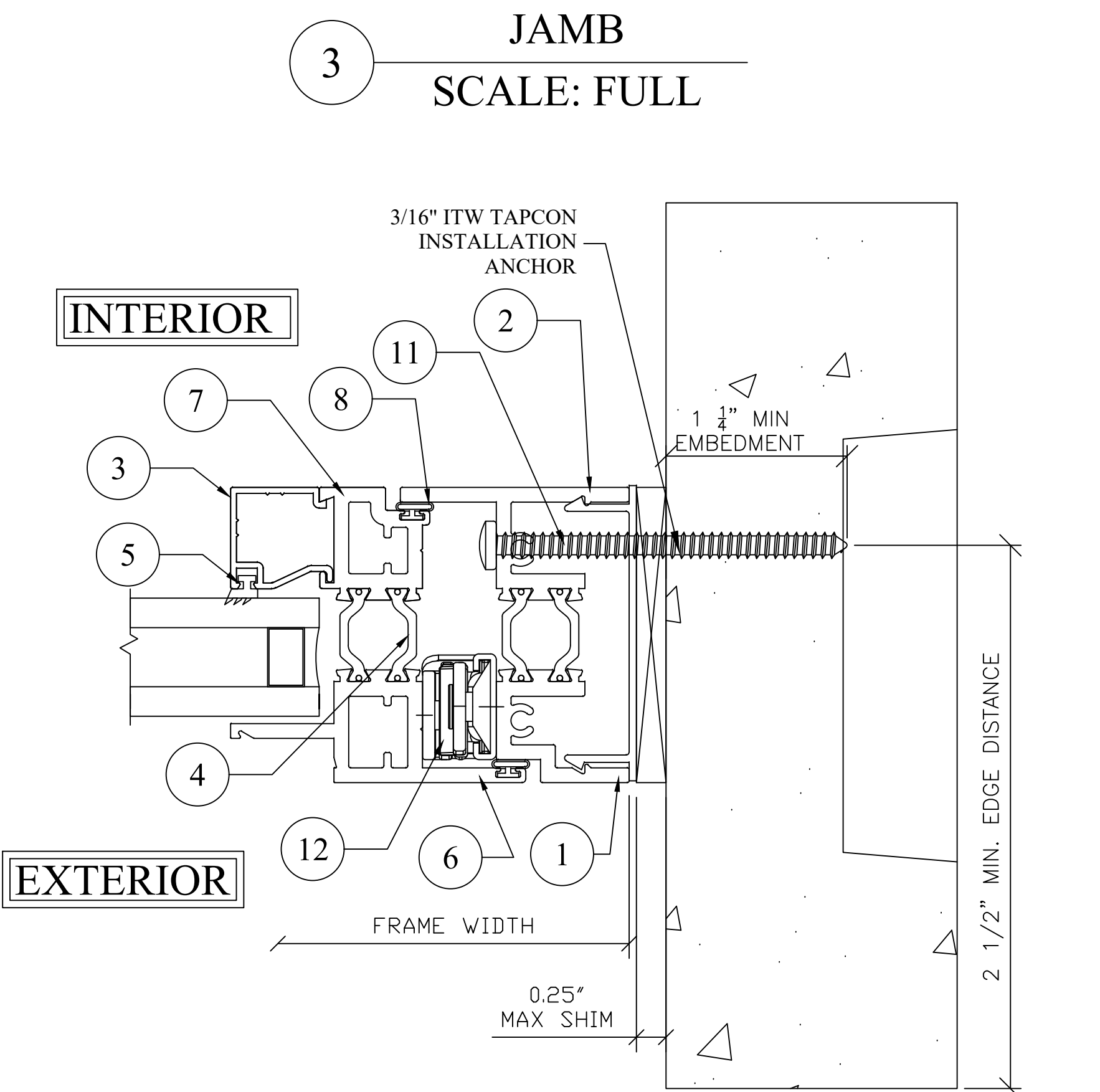
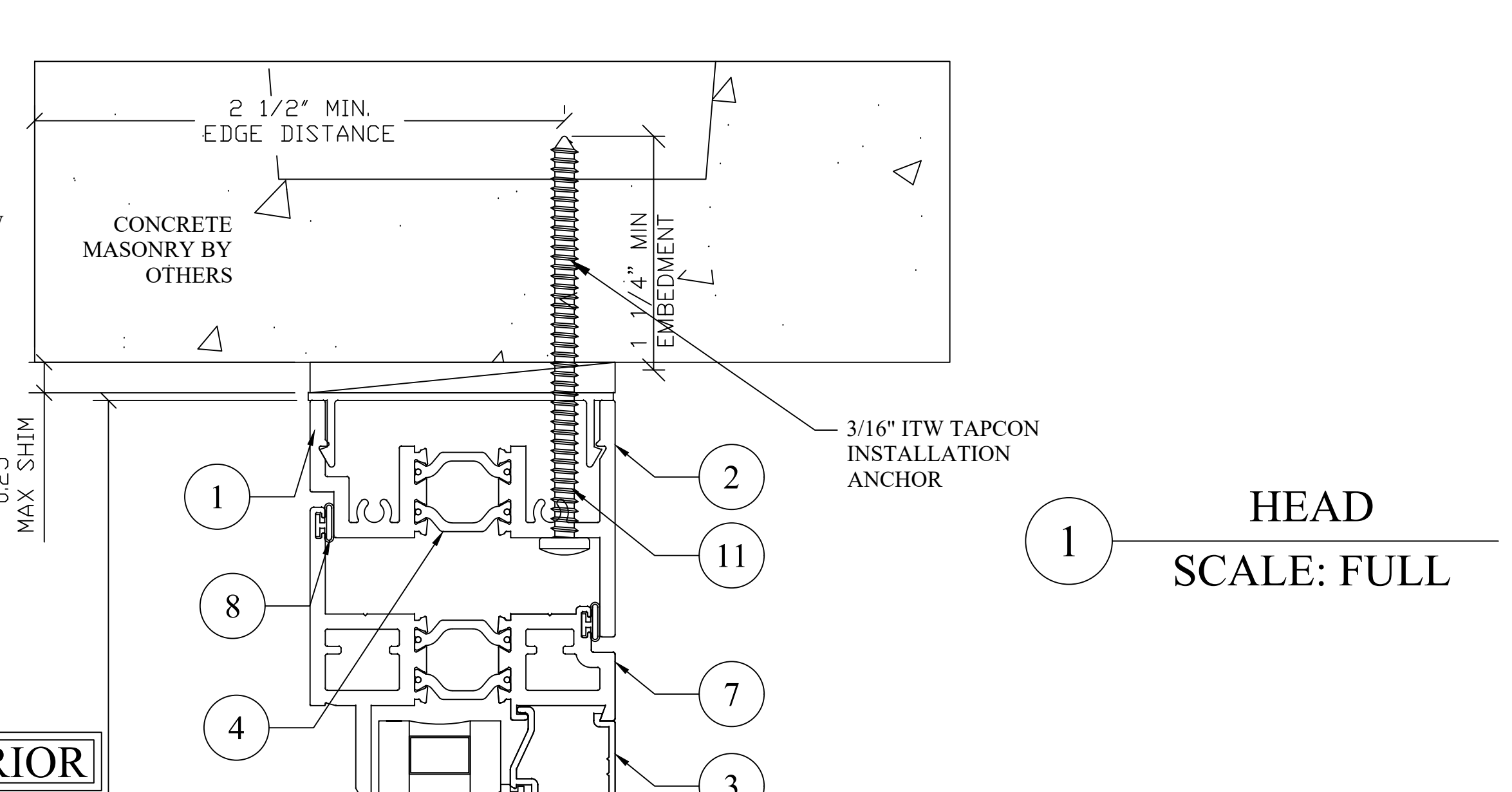
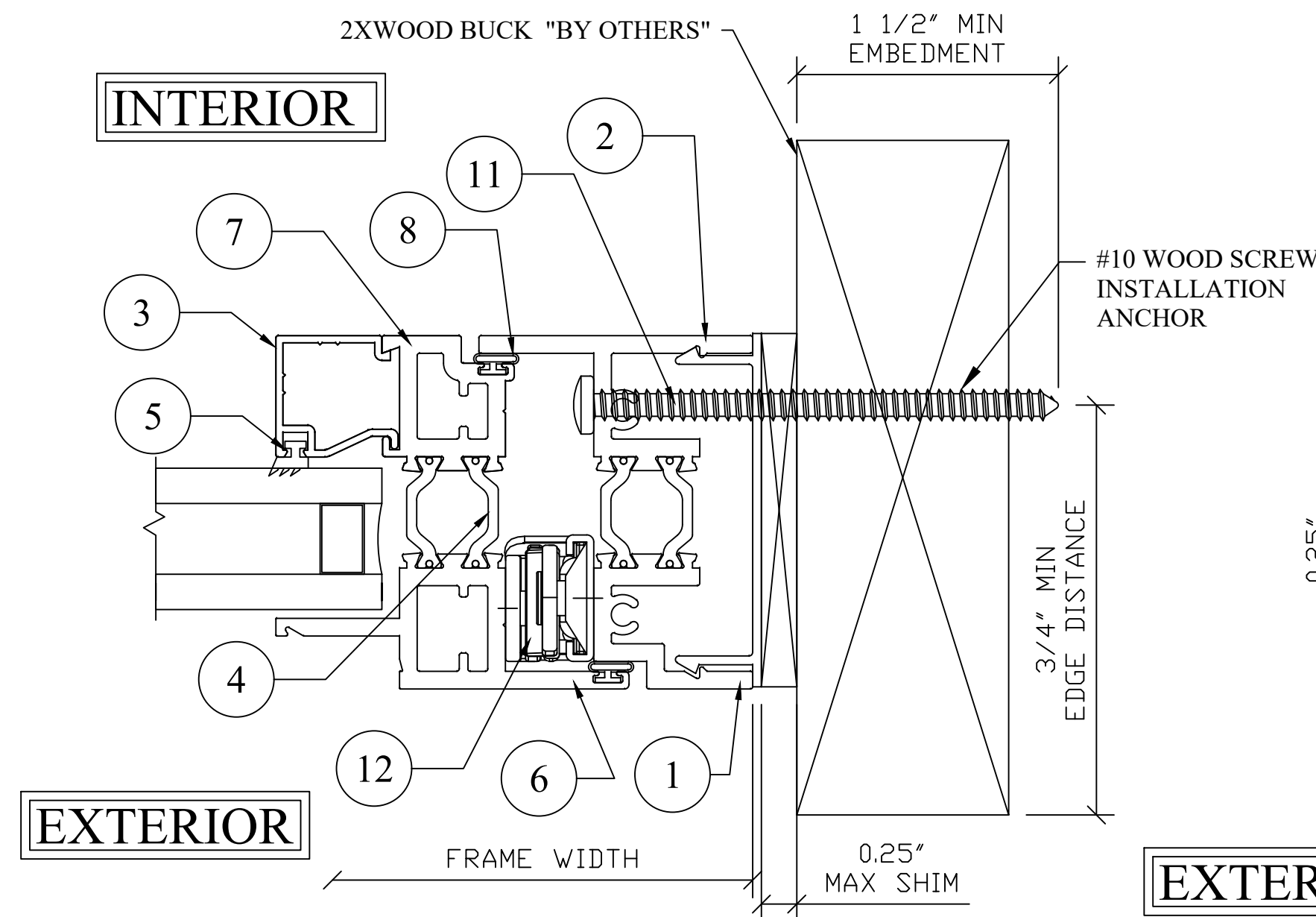
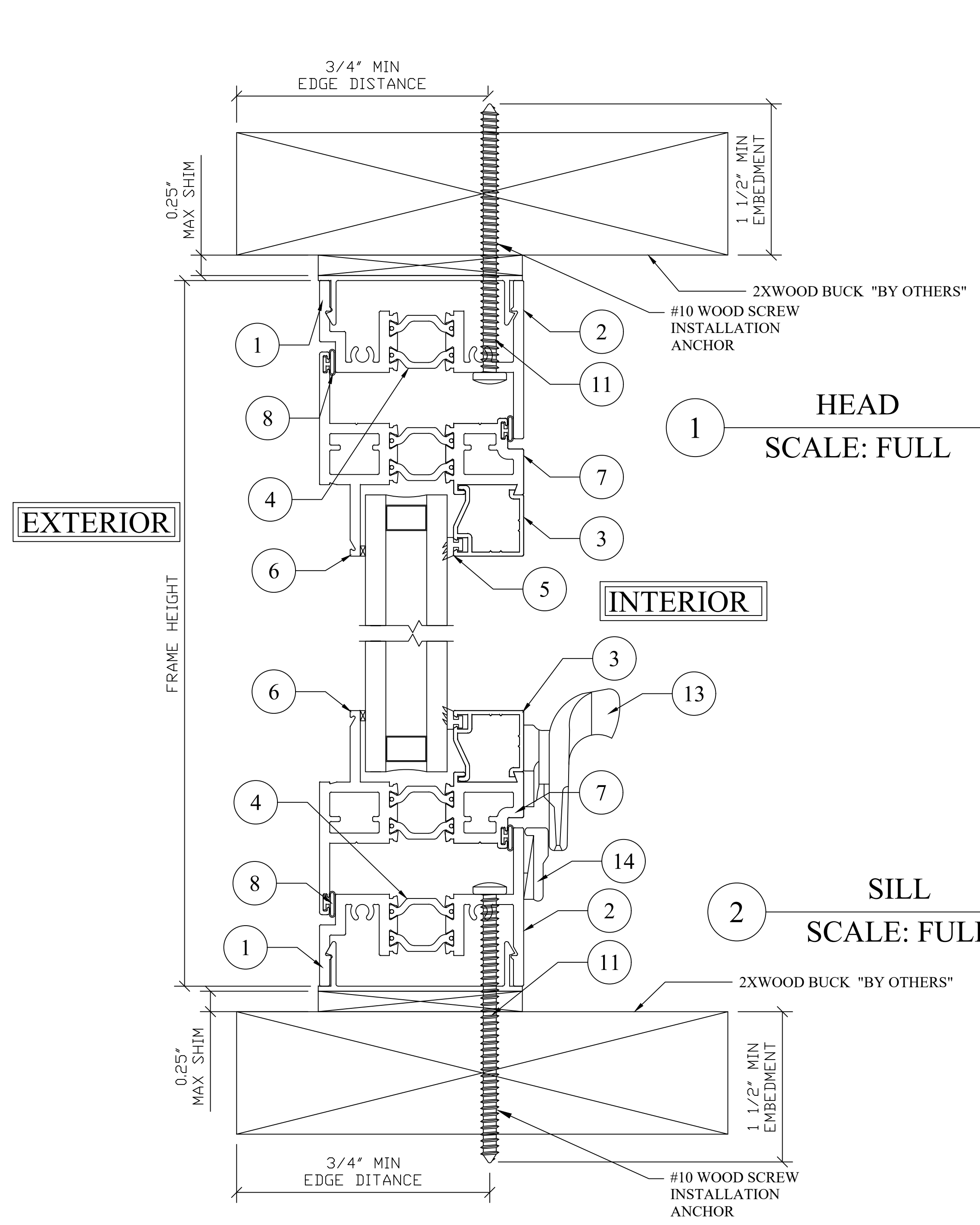
NOTE: DRAWINGS TO SCALE ON 24 X 36 PAPER ONLY



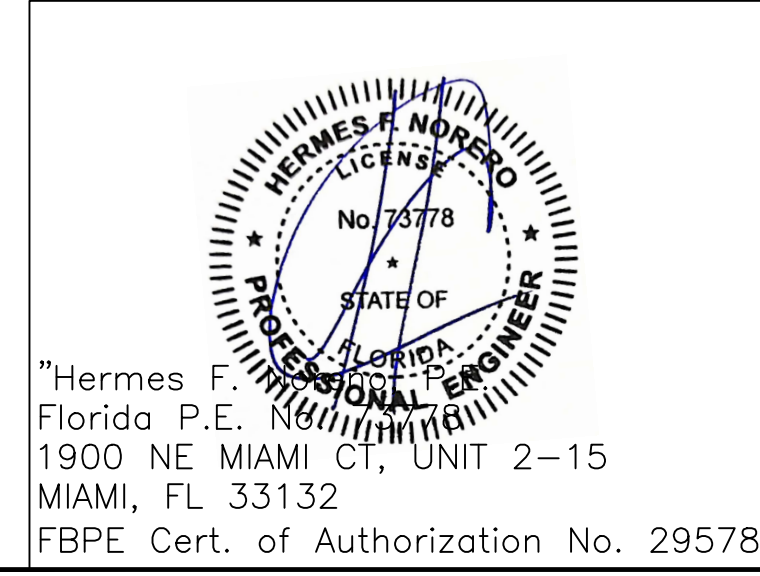
400 AMBASSADOR ROW  
LONGVIEW, TX 75604  
PHONE: (979) 823-6557  
FAX: (979) 823-1005

MEMO NO.	8097-10		SCALE	DETAILS: FULL ELEV: 3/4" = 1"
DESCRIPTION:	E2500/E3250/E4000 PROJECT OUT ELEVATIONS			
	A	EDIT DETAILS TO 2010	2/13/14	DRAWN BY: JKY
	B	ADDED E3250 AND E4000	5/7/14	DATE DRAWN: 10/4/10
	C	UPDATE NOTES	11/23/20	
	D	UPDATE ADDRESSES AND NOTES	1/26/24	
				PAGE NO. <b>1 OF 6</b>





NOTE: DRAWINGS TO SCALE ON 24 X 36 PAPER ONLY

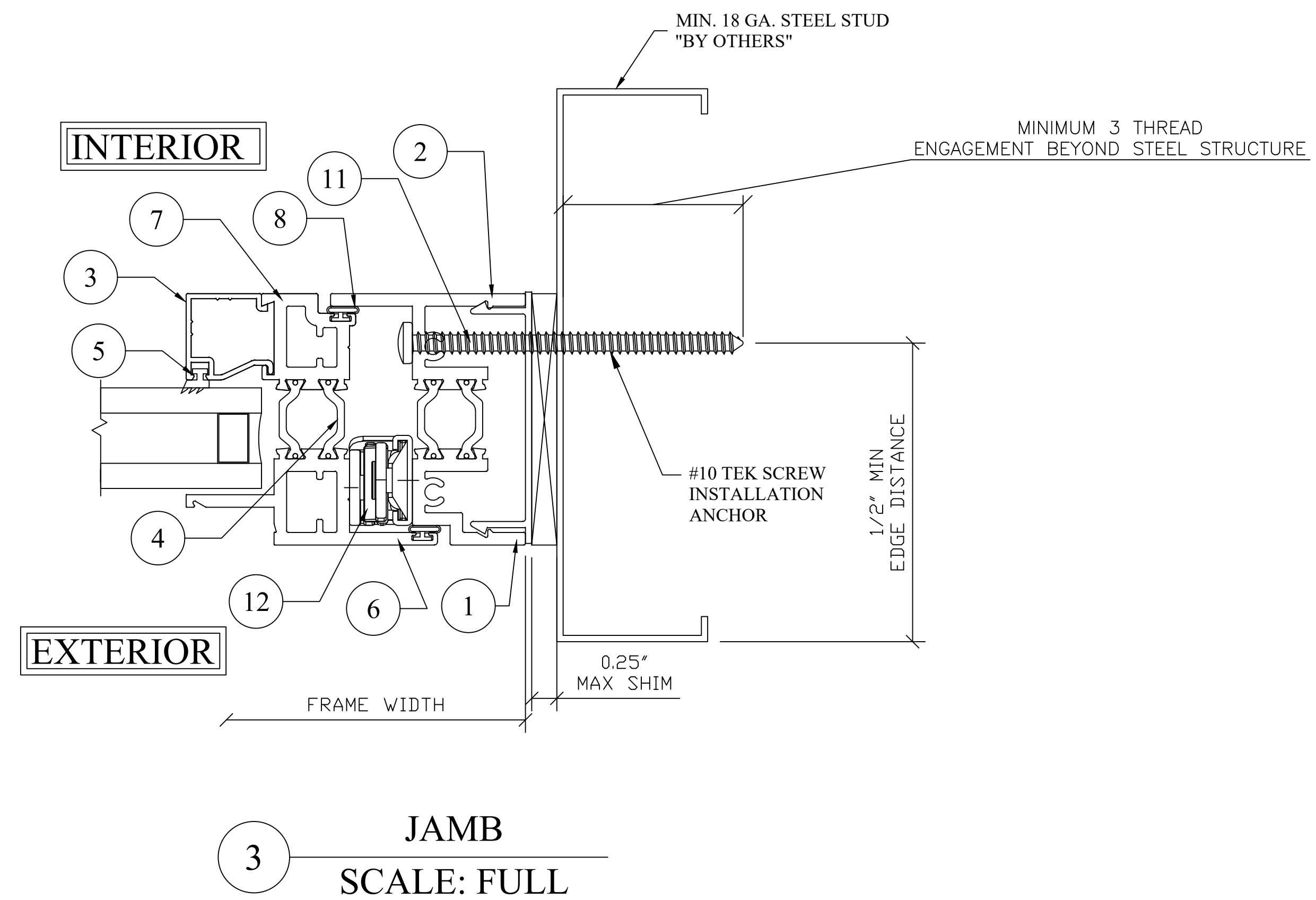
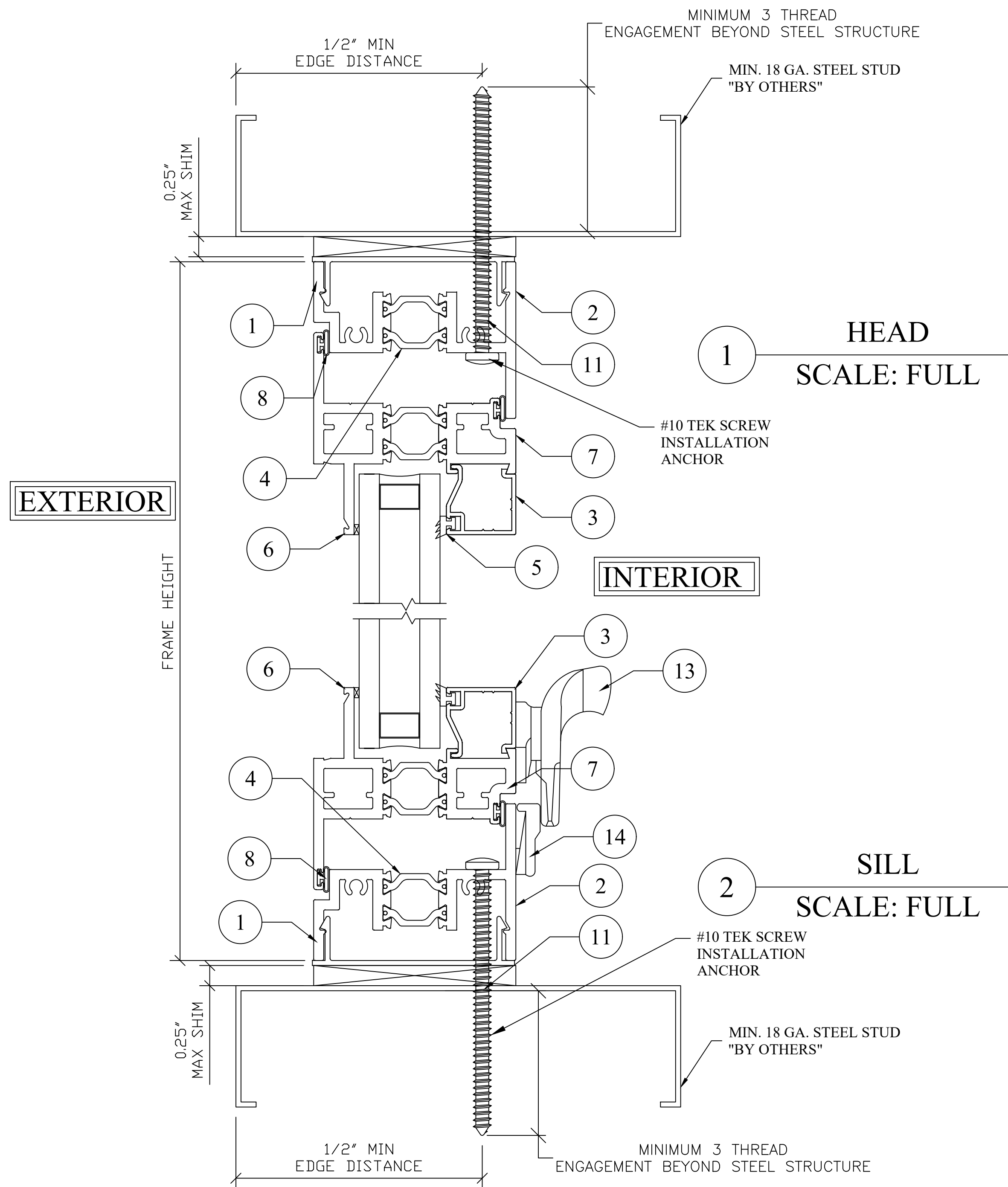


**ALL SEASONS**  
**COMMERCIAL DIV.**  
 400 AMBASSADOR ROW  
 LONGVIEW, TX 75604  
 PHONE: (979) 823-6557  
 FAX: (979) 823-1005

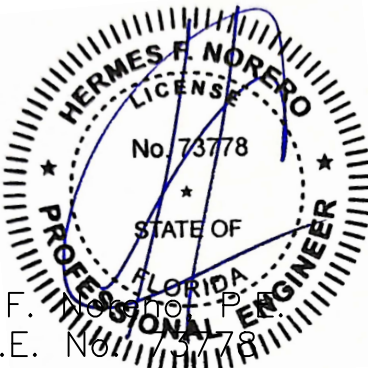
MEMO NO. 8097-10  
 DESCRIPTION:  
 E2500/E3250/E4000 PROJECT OUT  
 MASONRY AND WOOD DETAILS

REVISIONS		
A	EDIT DETAILS TO 2010	2/13/14
B	ADDED E3250 AND E4000	5/7/14
C	UPDATE NOTES	11/23/20
D	UPDATE ADDRESSES AND NOTES	1/26/24

SCALE DETAILS: FULL  
 ELEV: 3/4" = 1"  
 DRAWN BY: JKY  
 DATE DRAWN: 10/31/13  
 PAGE NO. 2 OF 6



NOTE: DRAWINGS TO SCALE ON 24 X 36 PAPER ONLY

  
 "Hermes F. Norero"  
 Florida P.E. No. 75778  
 1900 NE MIAMI CT, UNIT 2-15  
 MIAMI, FL 33132  
 FBPE Cert. of Authorization No. 29578"

**ALL SEASONS**  
**COMMERCIAL DIV.**

400 AMBASSADOR ROW  
 LONGVIEW, TX 75604  
 PHONE: (979) 823-6557  
 FAX: (979) 823-1005

MEMO NO. 8097-10

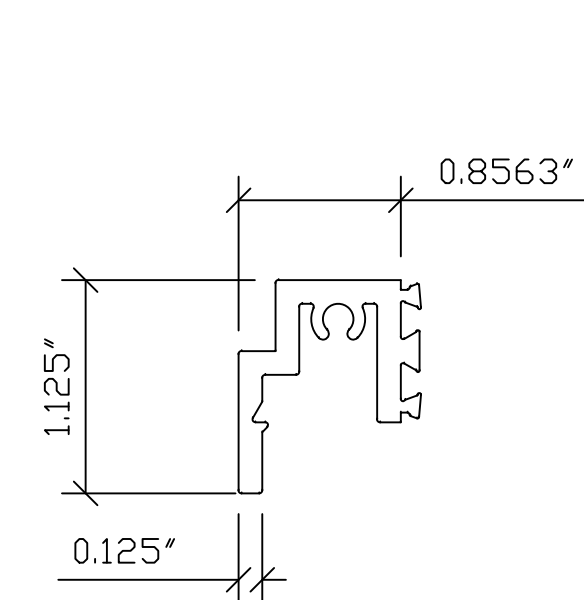
DESCRIPTION:  
 E2500/E3250/E4000 PROJECT OUT  
 STEEL DETAILS

REVISIONS		
A	EDIT DETAILS TO 2010	2/13/14
B	ADDED E3250 AND E4000	5/7/14
C	UPDATE NOTES	11/23/20
D	UPDATE ADDRESSES AND NOTES	1/26/24

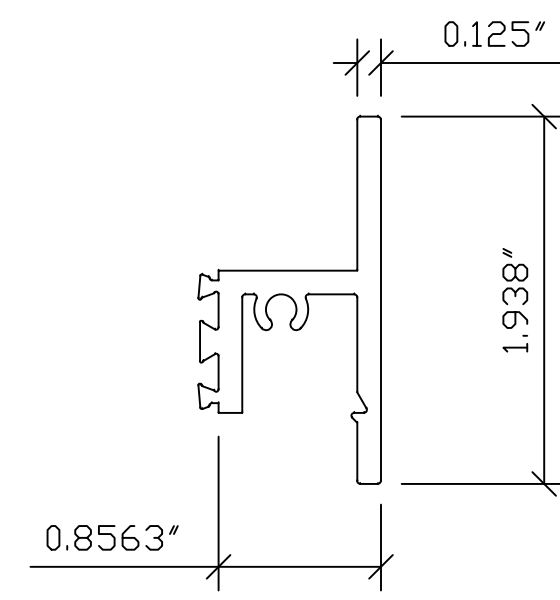
SCALE DETAILS: FULL  
 ELEV: 3/4" = 1"  
 DRAWN BY: JKY  
 DATE DRAWN: 10/31/13  
 PAGE NO. **3 OF 6**



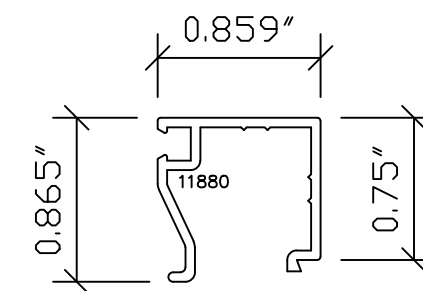
ITEM#	PART#	ITEM DESCRIPTION	MANUFACTURER/NOTES
<b>WINDOW PARTS</b>			
1	11889	FRAME EXTERIOR	6063-T5 ALUMINUM
2	11885	FRAME INTERIOR	6063-T5 ALUMINUM
3	11880	GLAZING BEAD	6063-T5 ALUMINUM
4	66108802	20mm THERMAL STRUT	ENSINGER
5	V-414	GLAZING VINYL	SOFT PVC
6	11886	VENT EXTERIOR	6063-T5 ALUMINUM
7	11883	VENT INTERIOR	6063-T5 ALUMINUM
8	V-537	BULB VINYL	SOFT PVC
15		SHEAR CLIP	6063-T5 ALUMINUM
<b>SEALS &amp; SEALANT</b>			
9	-----	SEAM SEALANT	SCHNEE MOREHEAD 5504
<b>MISC. FASTENERS</b>			
10	66103392	8-15 X 1" PH PN HD CAD	FRAME ASSEMBLY SCREW
11	-----	#10 X 3" PH PN HD	INSTALLATION ANCHOR
<b>HARDWARE</b>			
12	66108838	HINGE	16" AMC MAGNUM
13	66103704/5	LOCK	BRONZECRAFT
14	66103057	KEEPER	BRONZECRAFT



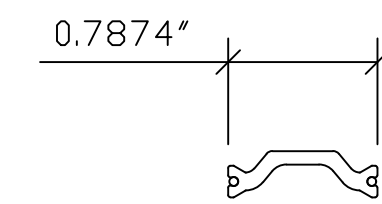
① FRAME EXTERIOR



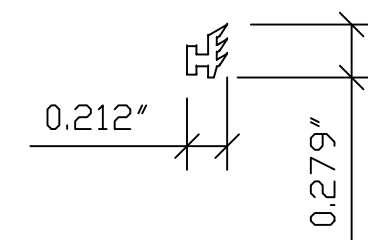
② FRAME INTERIOR



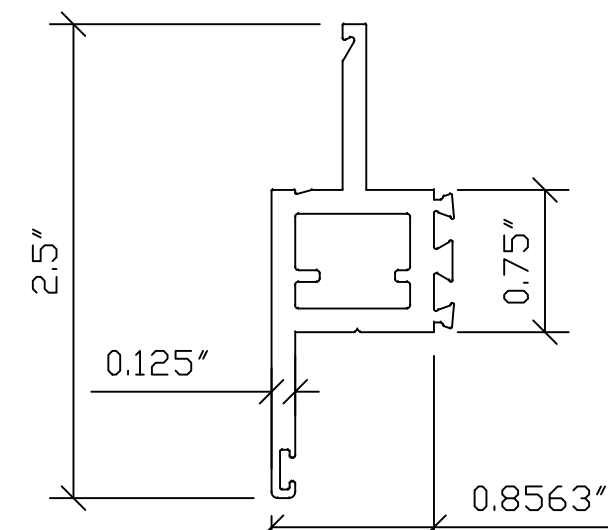
③ GLAZING BEAD



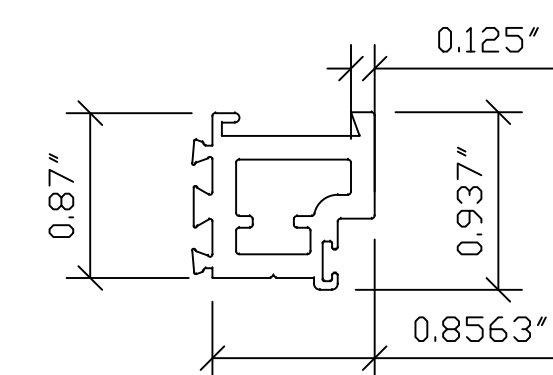
④ 20mm STRUT



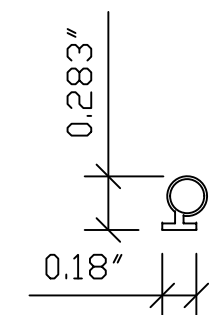
⑤ GLAZING VINYL



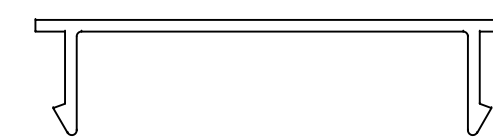
⑥ VENT EXTERIOR



⑦ VENT INTERIOR

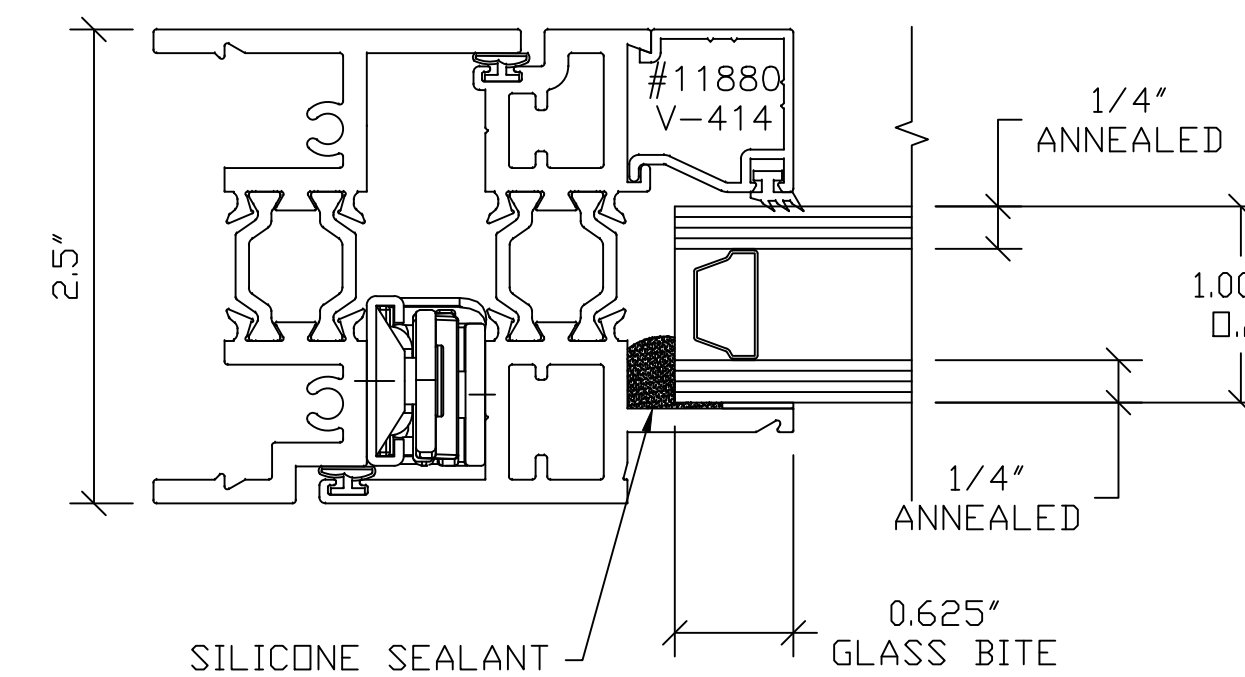


⑧ BULB VINYL



⑮ SHEAR CLIP  
ALUMINUM 6063-T5

**GLAZING DETAIL:**



NOTE: "GLASS TYPE AND THICKNESS MAY VARY ACCORDING TO THE ASTM E1300 GLASS CHART REQUIREMENTS"

NOTE: DRAWINGS TO SCALE ON 24 X 36 PAPER ONLY

"Hermes F. Norberto  
Florida P.E. No. 75778  
1900 NE MIAMI CT, UNIT 2-15  
MIAMI, FL 33132  
FBPE Cert. of Authorization No. 29578"

**ALL SEASONS**  
COMMERCIAL DIV.

400 AMBASSADOR ROW  
LONGVIEW, TX 75604  
PHONE: (979) 823-6557  
FAX: (979) 823-1005

MEMO NO. 8097-10

DESCRIPTION:

**E2500 PROJECT OUT**  
**BOM**

REVISIONS

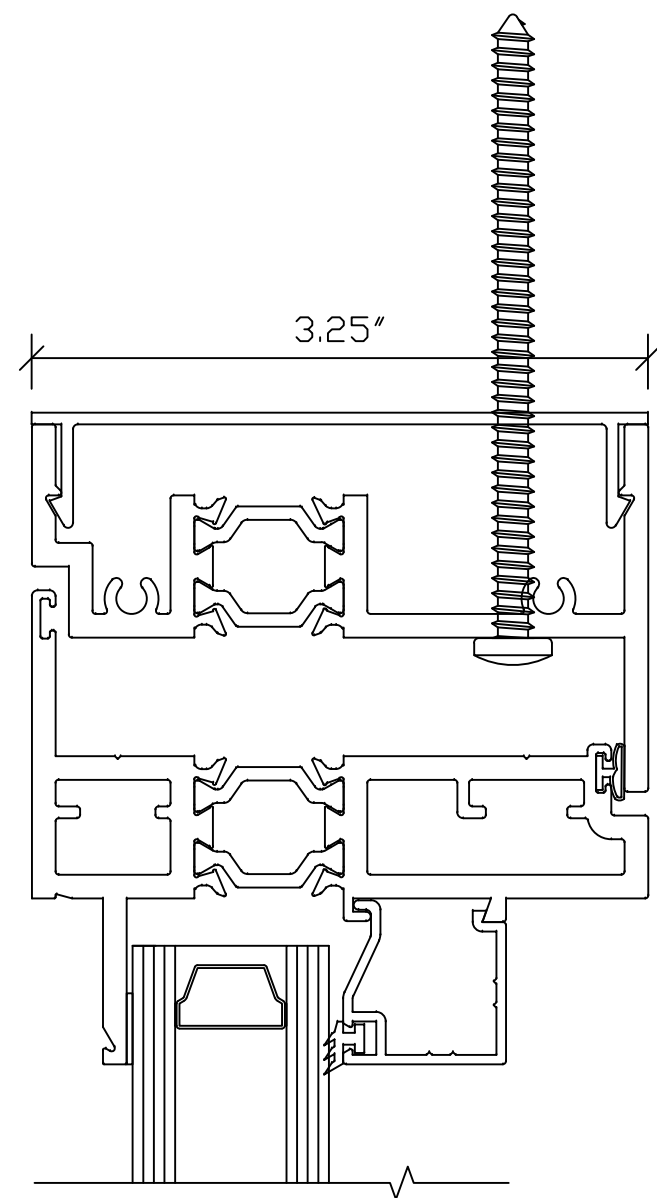
REVISION	DESCRIPTION	DATE
A	EDIT DETAILS TO 2010	2/13/14
B	ADDED E3250 AND E4000	
C	UPDATE NOTES	11/23/20
D	UPDATE ADDRESSES AND NOTES	1/26/24

SCALE DETAILS: FULL  
ELEV: 3/4" = 1"

DRAWN BY: JKY

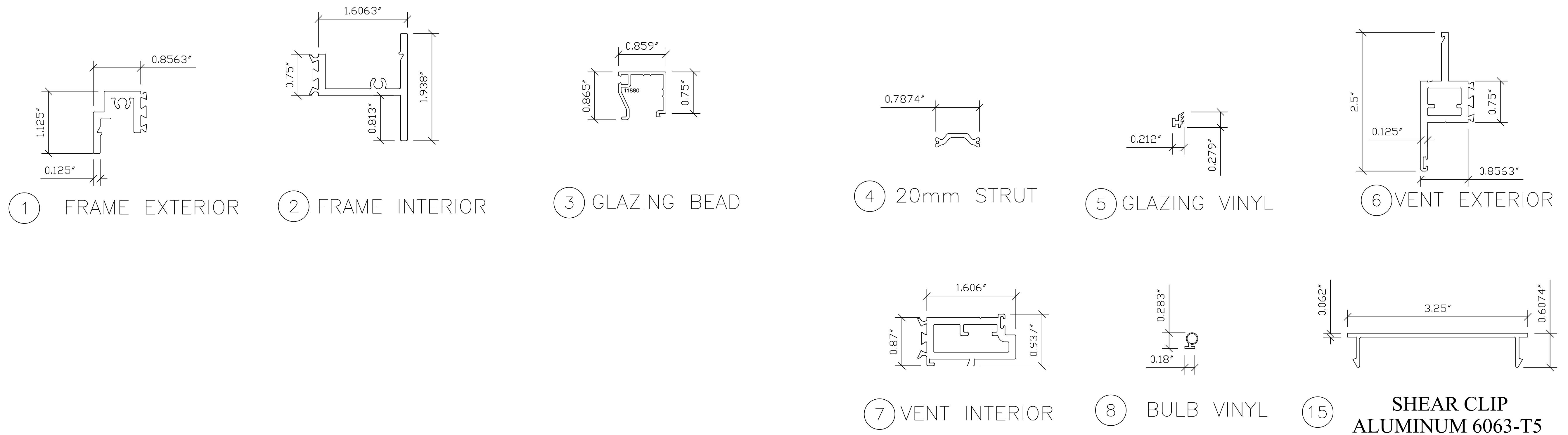
DATE DRAWN: 10/31/13

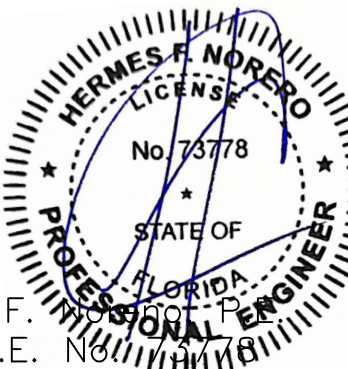
PAGE NO. **4 OF 6**



E3250 - 3 1/4" Frame window installation anchor placement shown. Reference previous pages for anchor type and spacing based on substrate installed into.

ITEM#	PART#	ITEM DESCRIPTION	MANUFACTURER/NOTES
WINDOW PARTS			
1	11889	FRAME EXTERIOR	6063-T5 ALUMINUM
2	12058	FRAME INTERIOR	6063-T5 ALUMINUM
3	11880	GLAZING BEAD	6063-T5 ALUMINUM
4	66108802	20mm THERMAL STRUT	ENSINGER
5	V-414	GLAZING VINYL	SOFT PVC
6	11886	VENT EXTERIOR	6063-T5 ALUMINUM
7	12060	VENT INTERIOR	6063-T5 ALUMINUM
8	V-537	BULB VINYL	SOFT PVC
15		SHEAR CLIP	6063-T5 ALUMINUM
SEALS & SEALANT			
9		SEAM SEALANT	SCHNEE MOREHEAD 5504
MISC. FASTENERS			
10	66103392	8-15 X 1" PH PN HD CAD	FRAME ASSEMBLY SCREW
11		#10 X 3" PH PN HD	INSTALLATION ANCHOR
HARDWARE			
12	66108838	HINGE	16" AMC MAGNUM
13	66103704/5	LOCK	BRONZECRAFT
14	66103057	KEEPER	BRONZECRAFT



  
 "Hermes F. Norberto  
 Florida P.E. No. 75778  
 1900 NE MIAMI CT, UNIT 2-15  
 MIAMI, FL 33132  
 FBPE Cert. of Authorization No. 29578"

  
**ALL SEASONS**  
**COMMERCIAL DIV.**  
 400 AMBASSADOR ROW    PHONE: (979) 823-6557  
 LONGVIEW, TX 75604    FAX: (979) 823-1005

MEMO NO. 8097-10

DESCRIPTION:

**E3250 PROJECT OUT**  
**BOM**

REVISIONS		
A	EDIT DETAILS TO 2010	2/13/14
B	ADDED E3250 AND E4000	5/7/14
C	UPDATE NOTES	11/23/20
D	UPDATE ADDRESSES AND NOTES	1/26/24

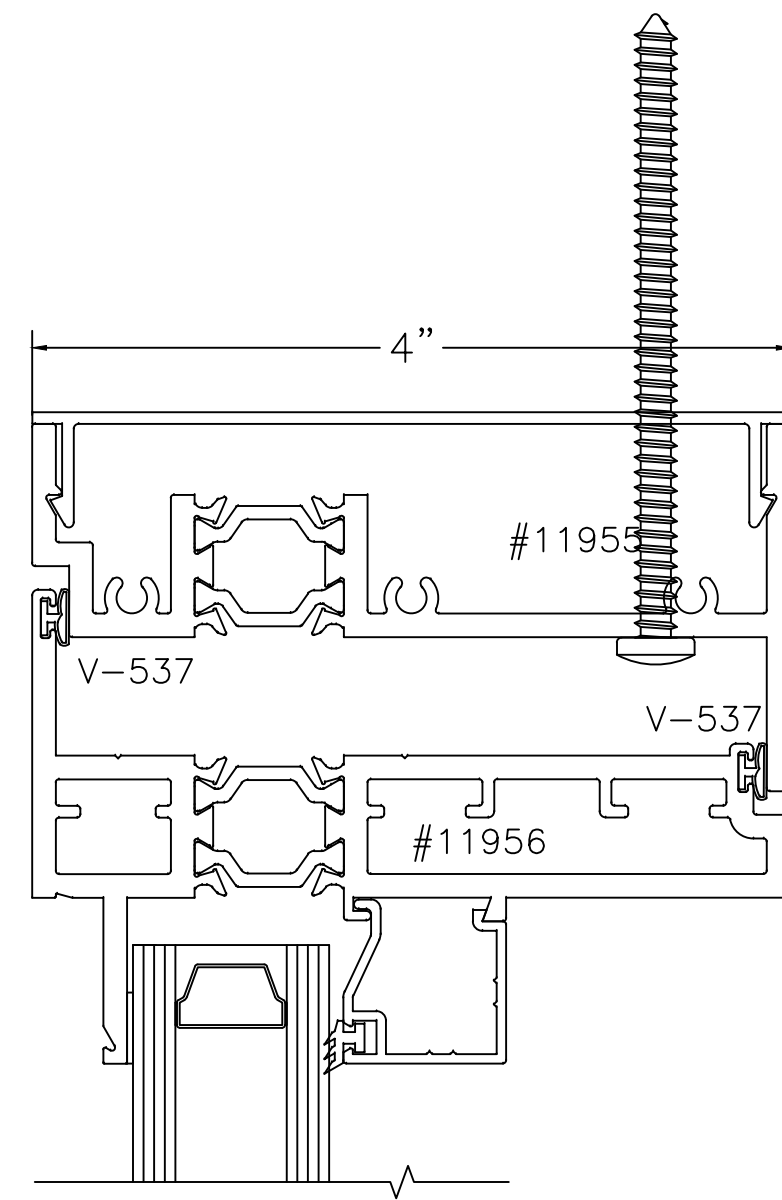
SCALE    DETAILS: FULL ELEV: 3/4" = 1"

DRAWN BY: JKY

DATE DRAWN: 10/31/13

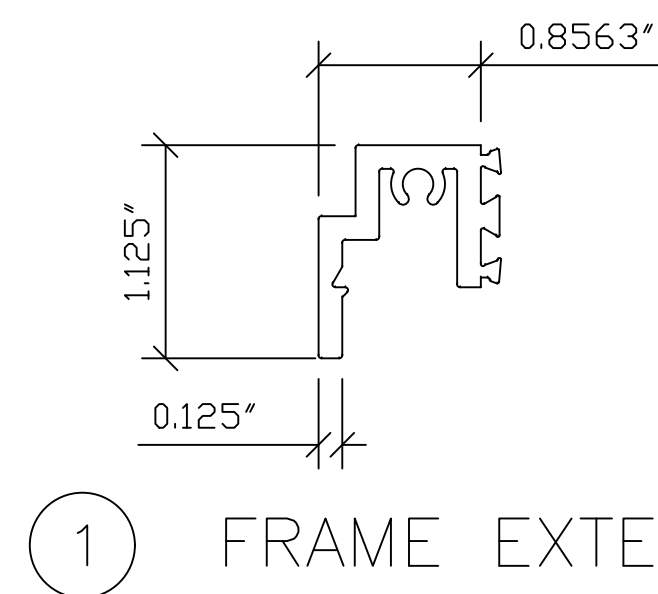
PAGE NO. **5** OF **6**



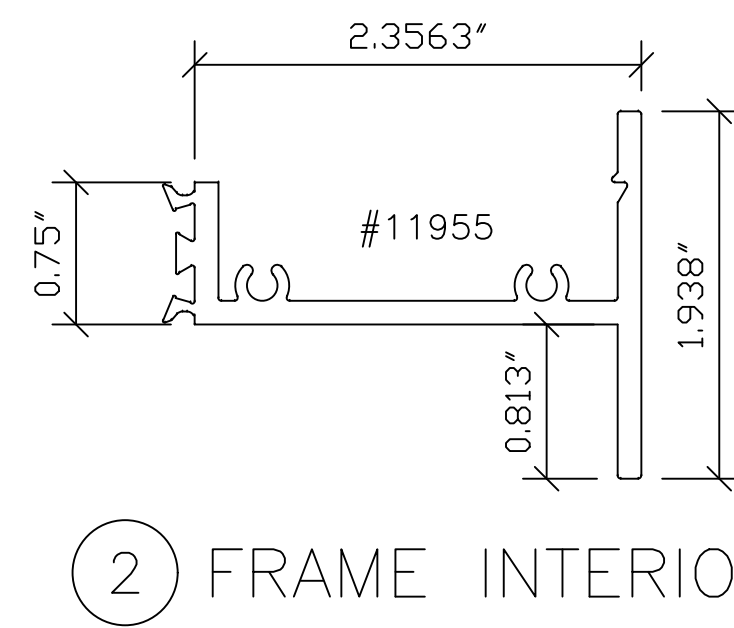


E4000 - 4" Frame window installation anchor placement shown. Reference previous pages for anchor type and spacing based on substrate installed into.

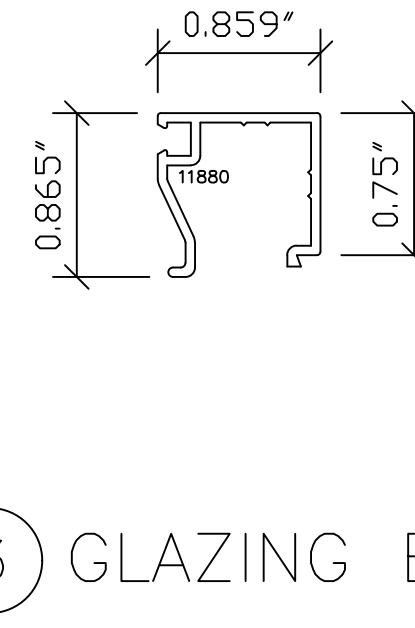
ITEM#	PART#	ITEM DESCRIPTION	MANUFACTURER/NOTES
WINDOW PARTS			
1	11889	FRAME EXTERIOR	6063-T5 ALUMINUM
2	11955	FRAME INTERIOR	6063-T5 ALUMINUM
3	11880	GLAZING BEAD	6063-T5 ALUMINUM
4	66108802	20mm THERMAL STRUT	ENSINGER
5	V-414	GLAZING VINYL	SOFT PVC
6	11886	VENT EXTERIOR	6063-T5 ALUMINUM
7	11956	VENT INTERIOR	6063-T5 ALUMINUM
8	V-537	BULB VINYL	SOFT PVC
15		SHEAR CLIP	6063-T5 ALUMINUM
SEALS & SEALANT			
9		SEAM SEALANT	SCHNEE MOREHEAD 5504
MISC. FASTENERS			
10	66103392	8-15 X 1" PH PN HD CAD	FRAME ASSEMBLY SCREW
11		#10 X 3" PH PN HD	INSTALLATION ANCHOR
HARDWARE			
12	66108838	HINGE	16" AMC MAGNUM
13	66103704/5	LOCK	BRONZECRAFT
14	66103057	KEEPER	BRONZECRAFT



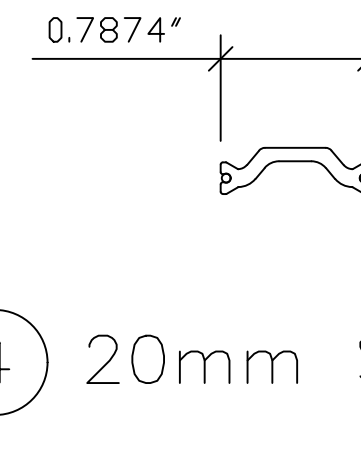
① FRAME EXTERIOR



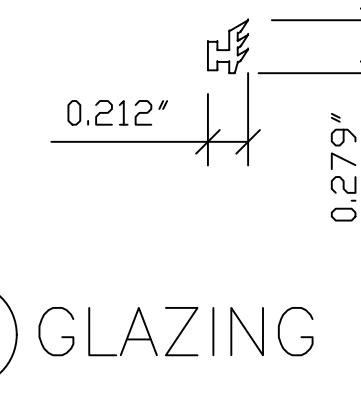
② FRAME INTERIOR



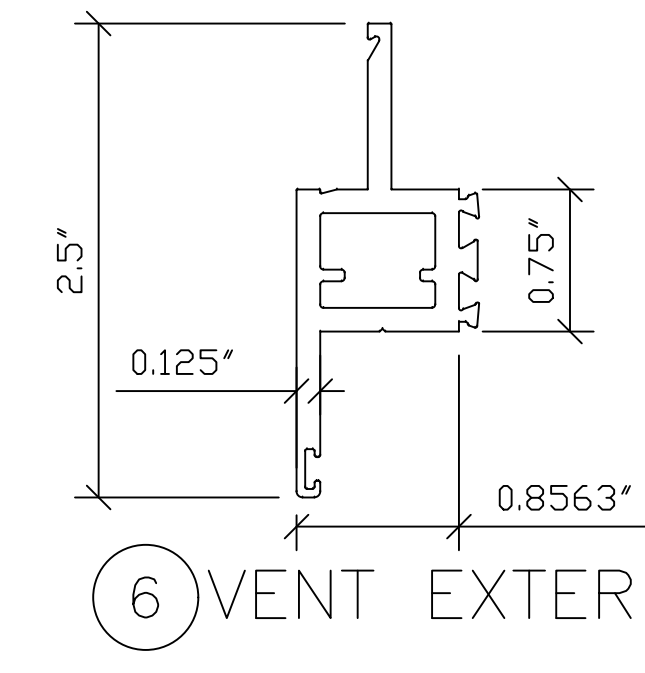
③ GLAZING BEAD



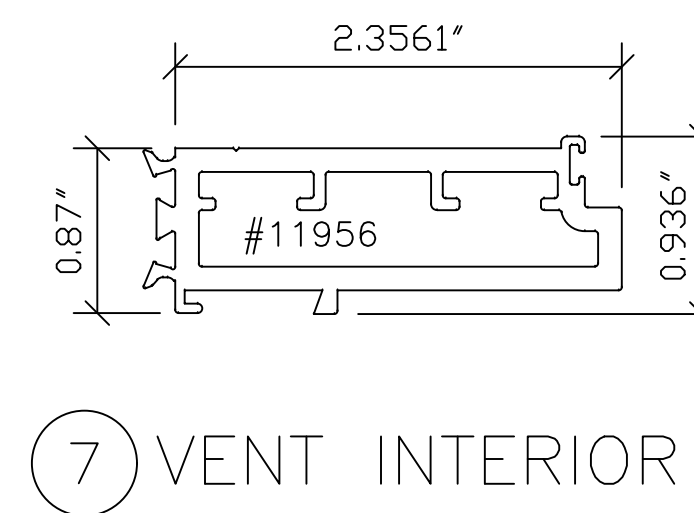
④ 20mm STRUT



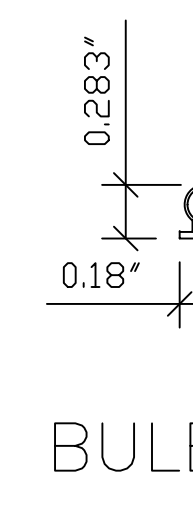
⑤ GLAZING VINYL



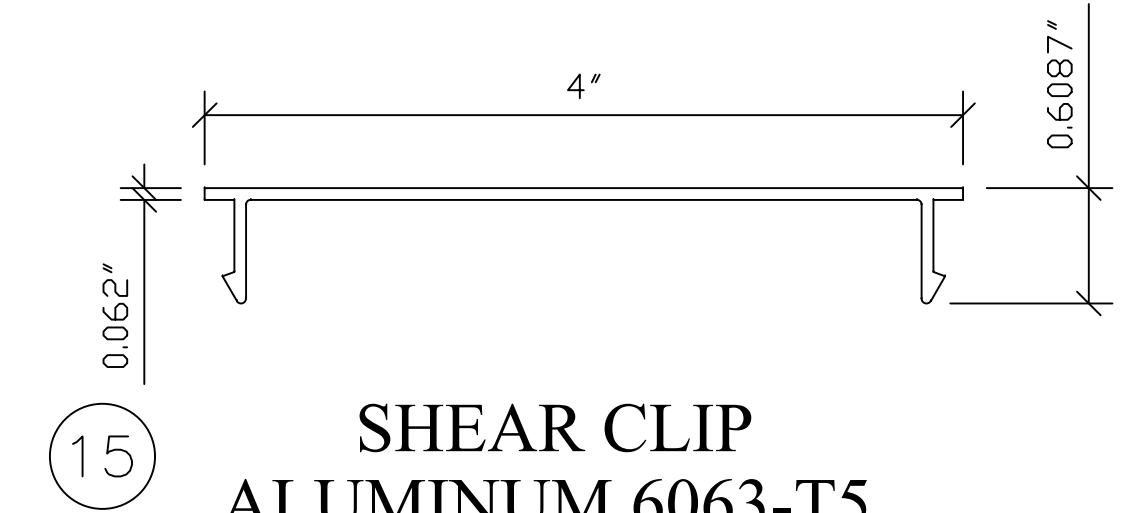
⑥ VENT EXTERIOR




⑦ VENT INTERIOR



⑧ BULB VINYL



⑮ SHEAR CLIP ALUMINUM 6063-T5

  
 "Hermes F. Norberto  
 Florida P.E. No. 75778  
 1900 NE MIAMI CT, UNIT 2-15  
 MIAMI, FL 33132  
 FBPE Cert. of Authorization No. 29578"

**ALL SEASONS**  
**COMMERCIAL DIV.**

400 AMBASSADOR ROW  
LONGVIEW, TX 75604

PHONE: (979) 823-6557  
FAX: (979) 823-1005

MEMO NO. 8097-10

DESCRIPTION:

E4000 PROJECT OUT  
**B O M**

REVISIONS

REVISION	DATE
A	2/13/14
B	5/7/14
C	11/23/20
D	1/26/24

SCALE DETAILS: FULL ELEV: 3/4" = 1"

DRAWN BY: JKY

DATE DRAWN: 10/31/13

PAGE NO. 6 OF 6

NOTE: DRAWINGS TO SCALE ON 24 X 36 PAPER ONLY